



Octagon Wireless LED Fixture

The Octagon is a unique wireless controlled LED fixture. A microprocessor controls the 16 million available colors of each of the 8 individual LED clusters. Built in effects are all controlled by the user using a wireless transmitter from up to 400 feet away. Communication is RF (radio frequency) so line of sight is not required.



The Octagon has two modes of operation. Single Mode (1) and Octal Mode (8). Single Mode the Octagon operates as a conventional ColorMaker fixture with all 8 clusters controlled using a single RGB channel. Single mode also includes our ColorRoll technology. Octal Mode the Octagon is controlled using 10 RGB channels to control the 8 individual clusters and effects. 8 channels are used to set the individual RGB levels of each of the clusters and 2 channels for effects. Effects include 5 chase patterns with fade and follow control.

Auto Addressing

The Octagon features Auto addressing for easy setup. User selectable address is programmable using the transmitter. A simple Press and click and the address is automatically set.

ColorRoll™

The Octagon incorporates our ColorRoll technology developed by ColorMaker inc. The ColorRoll features enable the fixture to roll through a set of programmable colors without the use of the transmitter. The ColorRoll is a set of 10 colors which are programmed by the user. These colors are sent to the fixture by the handheld transmitter. Once the ColorRoll has started roll rates can be set by the transmitter from 3 seconds per color to 5 minutes per color. ColorRoll will continuously cycle through all the colors until blackout button is pressed on the transmitter.

Power Supply

The Octagon is powered by two internal 2.5 AH rechargeable batteries or can be set to run on external wall adapter. Internal batteries can power the Octagon for up to 8 hours at full intensity when set to power save mode.

Charging

The two internal batteries can be recharged in just a few hours. Charger connects to charge / power jack on side of fixture.

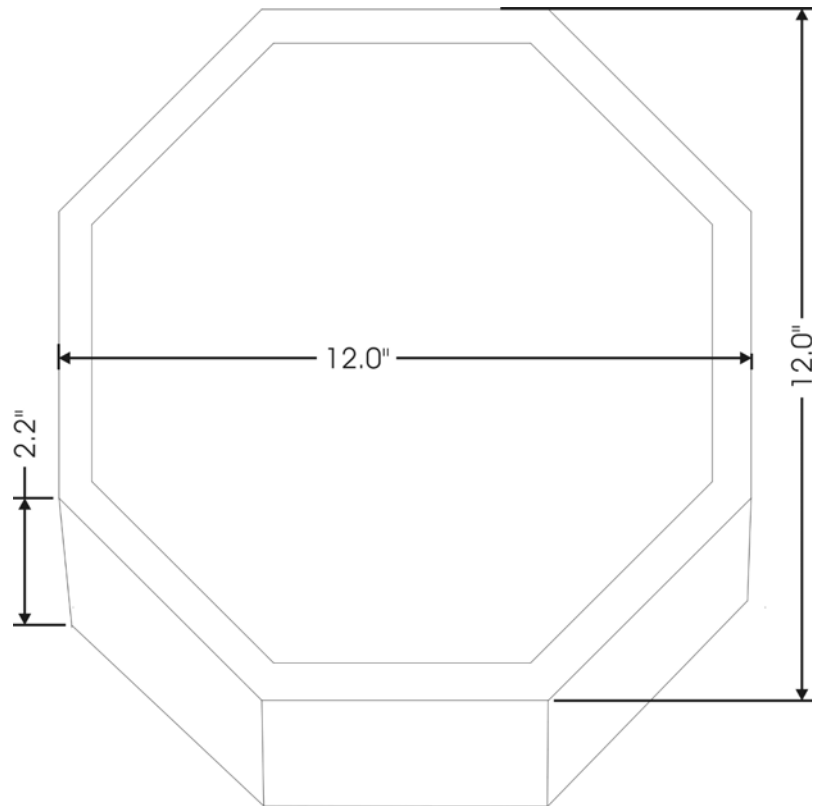
The Octagon in constructed of light weight aluminum and painted with a duarable white textured paint. The clear polycarbonate lense can hold up to 15 lbs. Rubber feet to protect the mounting surface from scratches.

Dimensions

Length: 12 inch
Width: 12 inch
Height: 2.2 inch
Weight: 9 lb.

Power supply

Internal battery: (2) PS12250 12 volt 2.5ah
External Wall supply: GL2500



Trade Mark of ColorMaker Inc.